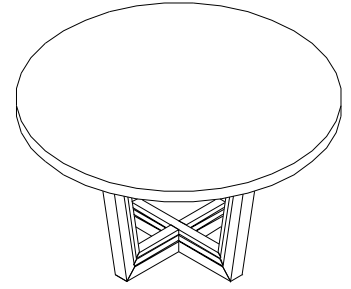


Warning :

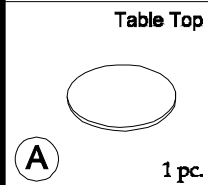
- Be sure to check all packing material carefully for small parts, which may have come loose inside the carton during shipment.
- To prevent possible scratches and damage, this furniture **MUST BE ASSEMBLED BY TWO PEOPLE** on a soft surface such as a blanket or carpet.

Important Use Information: We recommend using coasters, placemats and trivets when placing hot or cold containers on this item. It is also recommended to quickly cleanup any spills to minimize exposure to moisture. Doing so will prolong the life and look of the item for many years.



73450
Round Dining Table-Top
73451
Round Dining Table-Base

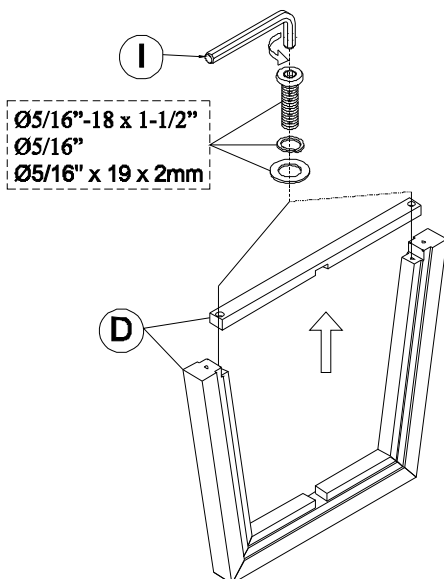
Components packed with #73450 Table Top



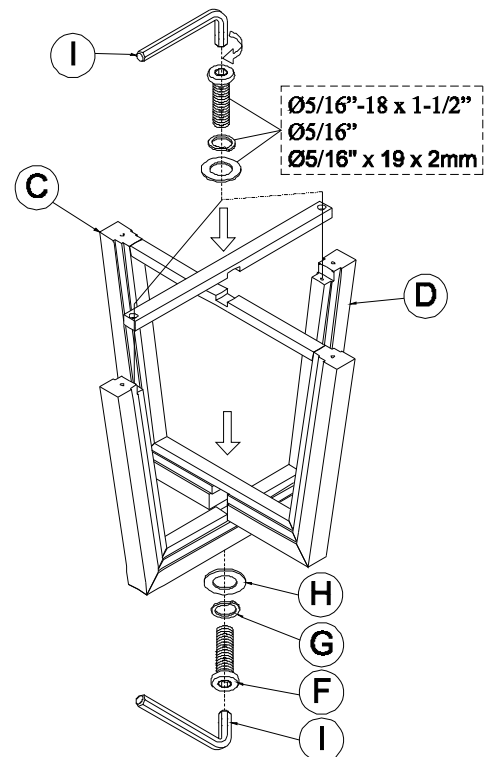
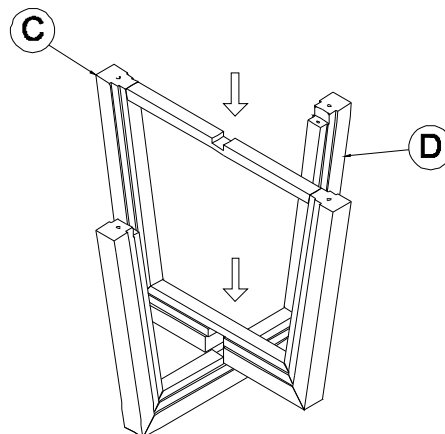
Components and Hardware packed with #73451 Table Base

<p>Table Base</p> <p>B 1 pc.</p>	<p>Leg Frame 1</p> <p>C 1 pc.</p>	<p>Upper Stretcher</p> <p>D 1 pc.</p>	<p>Allen Head Bolt 5/16"-18 x 1-1/2"</p> <p>E 8 pcs.</p>	<p>Allen Head Bolt 5/16"-18 x 3"</p> <p>F 1 pc.</p>	<p>Spring Washer 5/16" x 12 x 3mm</p> <p>G 9 pcs.</p>	<p>Flat Washer 5/16" x 19 x 2mm</p> <p>H 9 pcs.</p>
<p>Allen Key 5mm</p> <p>I 1 pc.</p>	<p>Wood Screw #8 x 1-1/4"</p> <p>J 4 pcs.</p>	<p>Tool Required (Not provided) Phillips Screwdriver</p>	<p>Step 3 : Reattached the Bolts</p> <p>I E G F H</p> <p>Ø5/16"-18 x 1-1/2" Ø5/16" Ø5/16" x 19 x 2mm</p>			

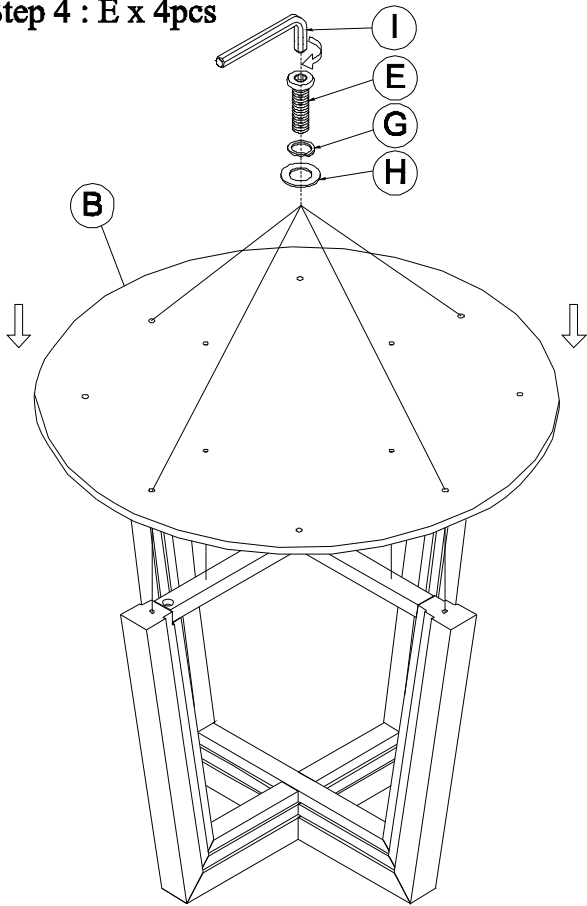
Step 1: Remove the Bolts and washer



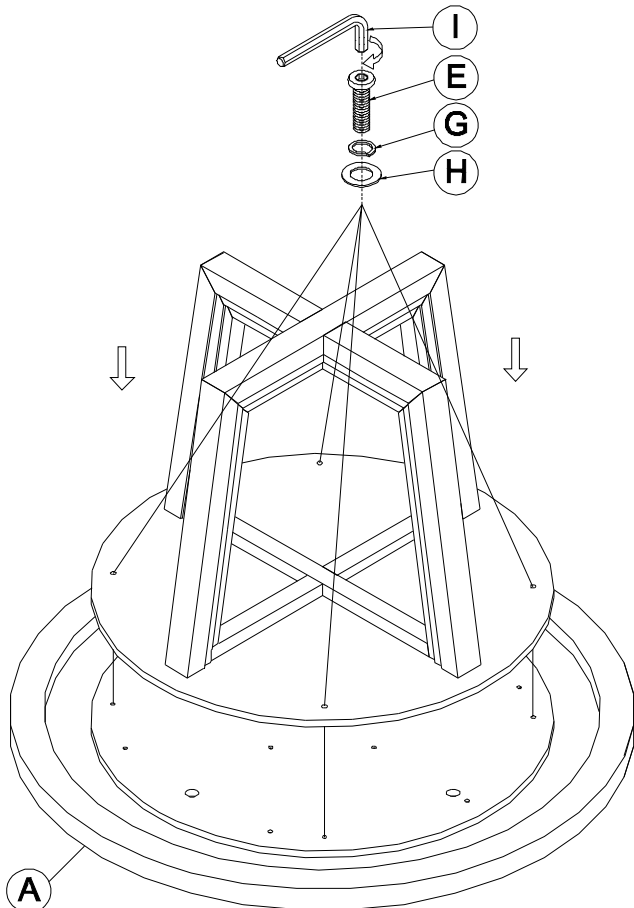
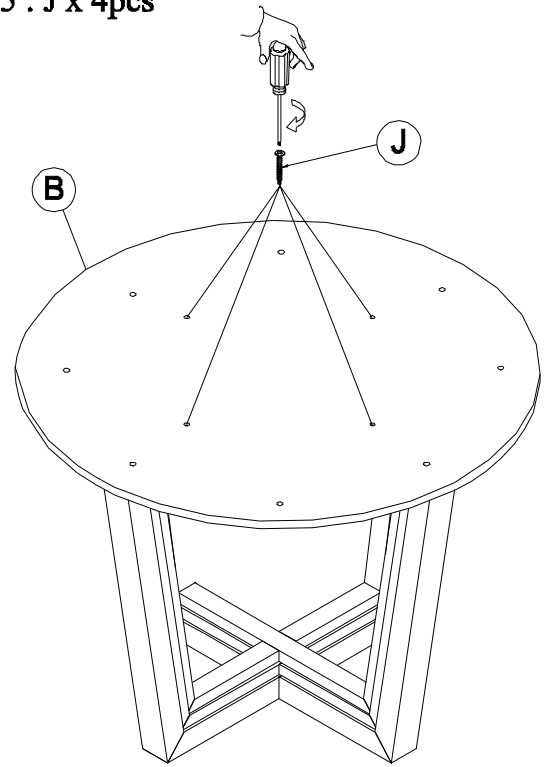
Step 2



Step 4 : E x 4pcs



Step 5 : J x 4pcs



Adjustable Leveler